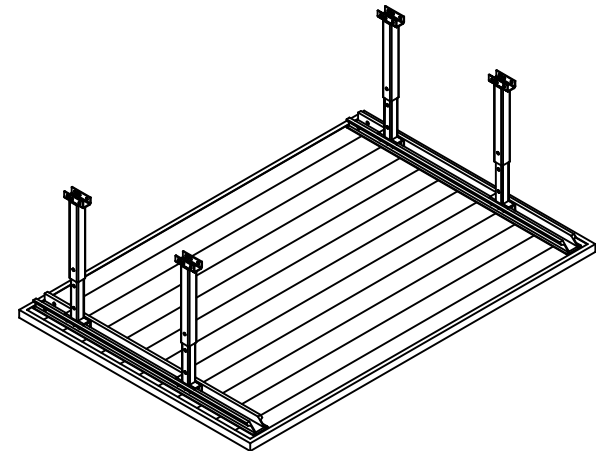
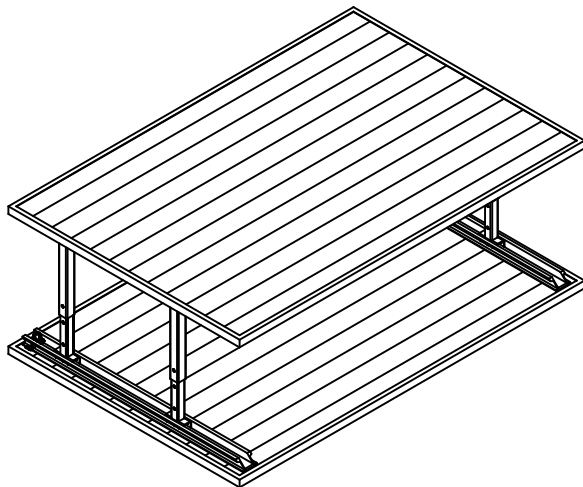


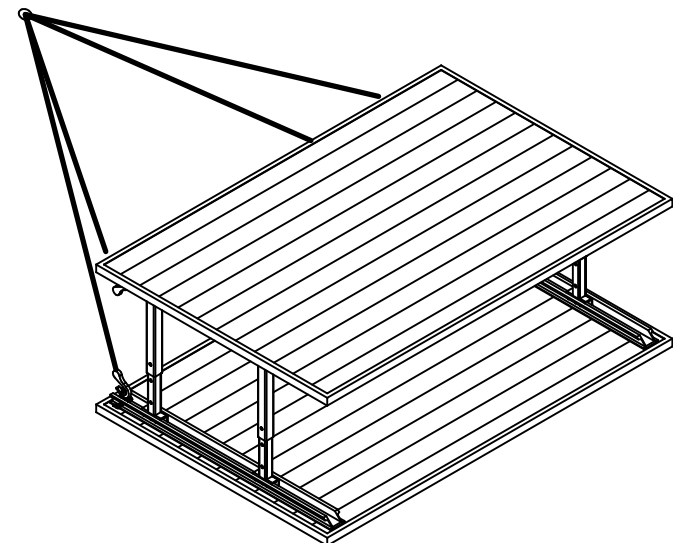
1. LAY PANEL FLAT ON GROUND (WALERS UP)



2. INSERT SPREADERS (PIN TO WALERS)



3. LOWER TOP PANEL ON AND PIN SPREADERS TO PANEL



4. ATTACH 4-LEGGED SLING

Subject To Engineering Approval.

All Information Included Or Referenced Herein Shall Be Treated As Confidential To Pro-Tec Equipment © 2014



PRO-TEC Equipment

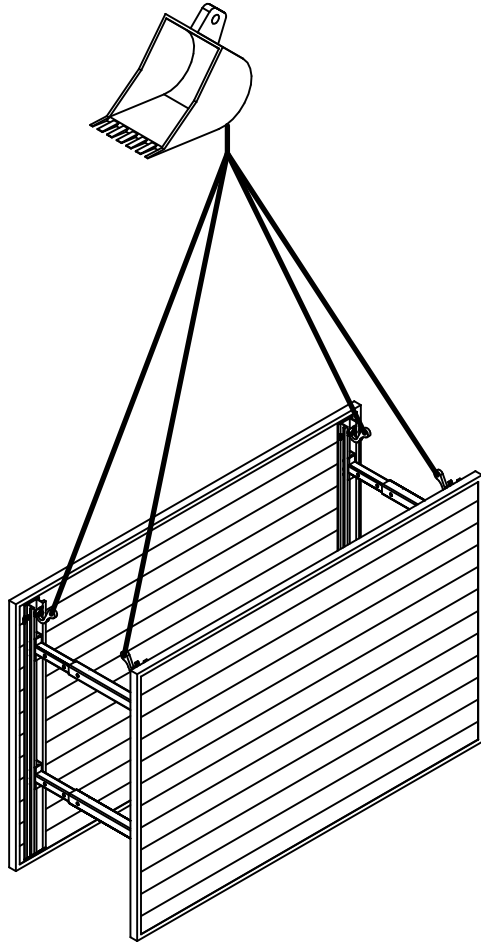
4837 W. Grand River Ave. Lansing, MI 48906 (517) 827-3250 1-800-292-1225

Customer: ~ Page 1 Of 2

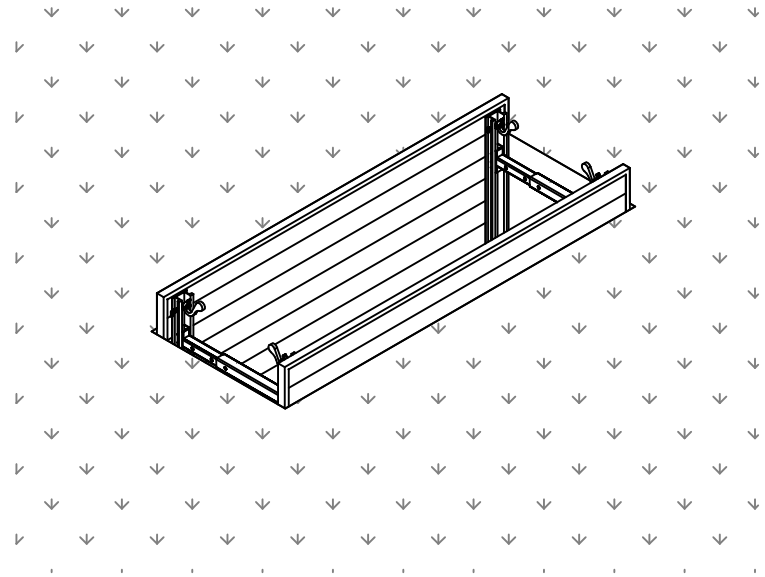
Dwg. # ATS Assembly

Date: 08-March-2019 By: FM

Aluminum Trench Shield



5. ATTACH SLING TO BUCKET



6. LOWER INTO HOLE

Subject To Engineering Approval.

All Information Included Or Referenced Herein Shall Be Treated As Confidential To Pro-Tec Equipment © 2014



PRO-TEC Equipment

4837 W. Grand River Ave. Lansing, MI 48906 (517) 827-3250 1-800-292-1225

Customer: ~ Page 2 Of 2

Dwg. # ATS Assembly

Date: 08-March-2019 By: FM

Aluminum Trench Shield