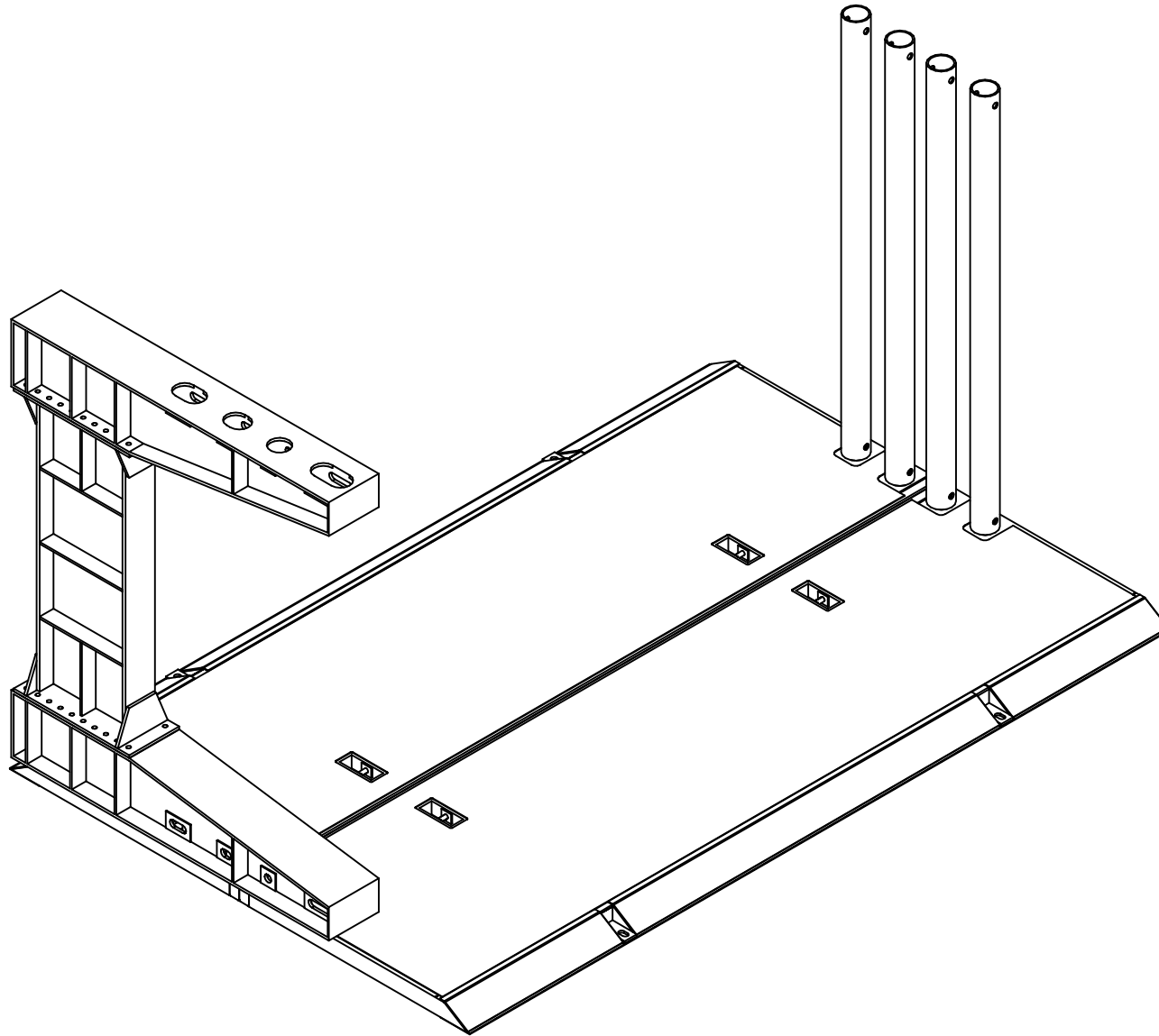


All Information Included Or Referenced Herein Shall Be Treated As Confidential To Pro-Tec Equipment © 2008




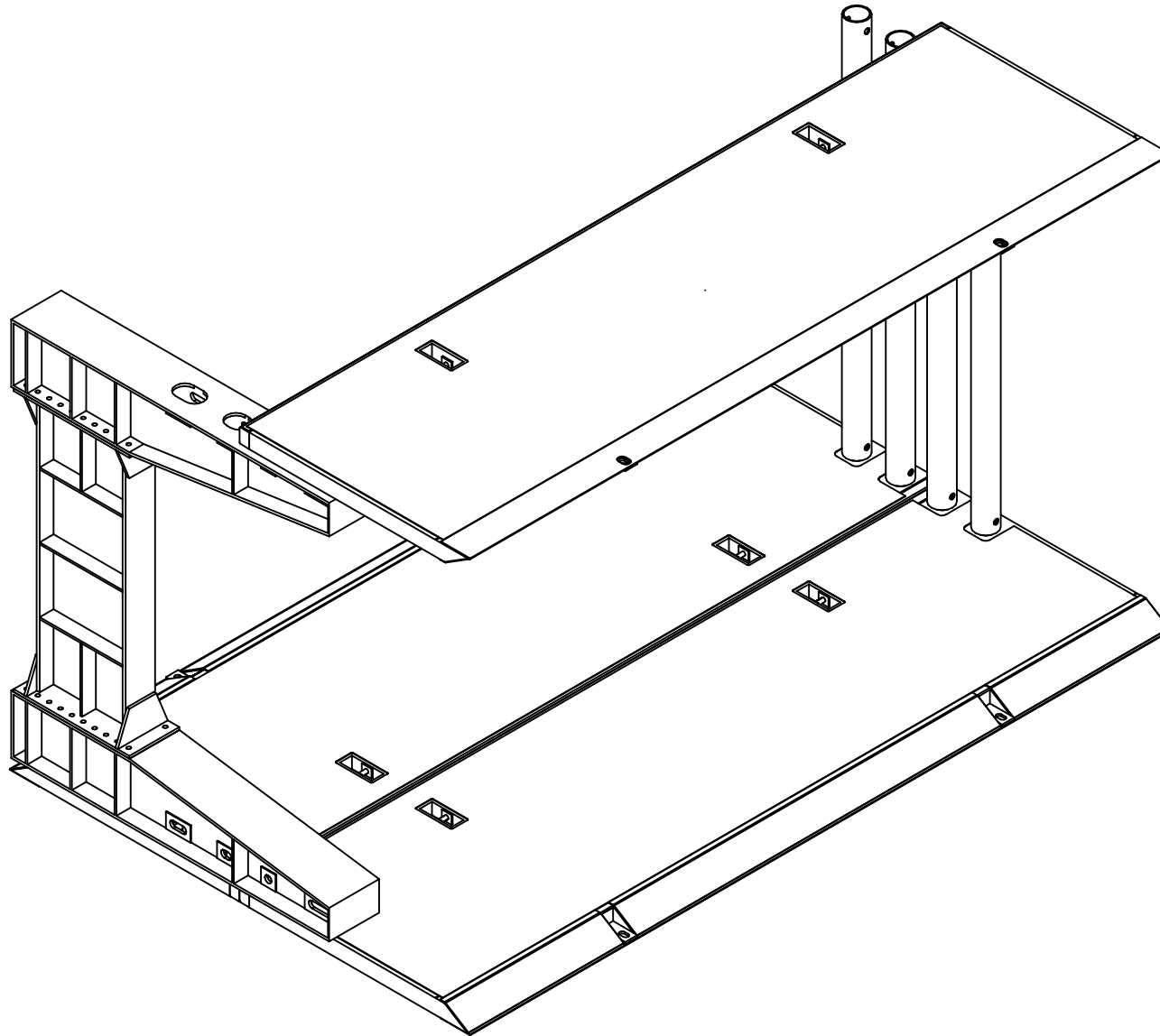
PRO-TEC Equipment
P.O. Box 130 1298 Lipsey Dr.-Charlotte MI 48813 (517) 541-0303 1-800-292-1225

| | | |
|---------------------------------|----------------|--------------------------|
| Customer: ~ | Page 1 Of 4 | Ultra High Arch Assembly |
| Dwg. # Ultra High Arch Assembly | | |
| Date: 14-Sep-2011 | By: C. Stevens | |



All Information Included Or Referenced Herein Shall Be Treated As Confidential To Pro-Tec Equipment © 2008

| | | |
|--|---|--------------------------|
|  | <h1>PRO-TEC Equipment</h1> | |
| | P.O. Box 130 1298 Lipsey Dr.-Charlotte MI 48813 (517) 541-0303 1-800-292-1225 | |
| | Customer: ~ | Page 2 Of 4 |
| | Dwg. # Ultra High Arch Assembly | |
| Date: 14-Sep-2011 | By: C. Stevens | |
| | | Ultra High Arch Assembly |

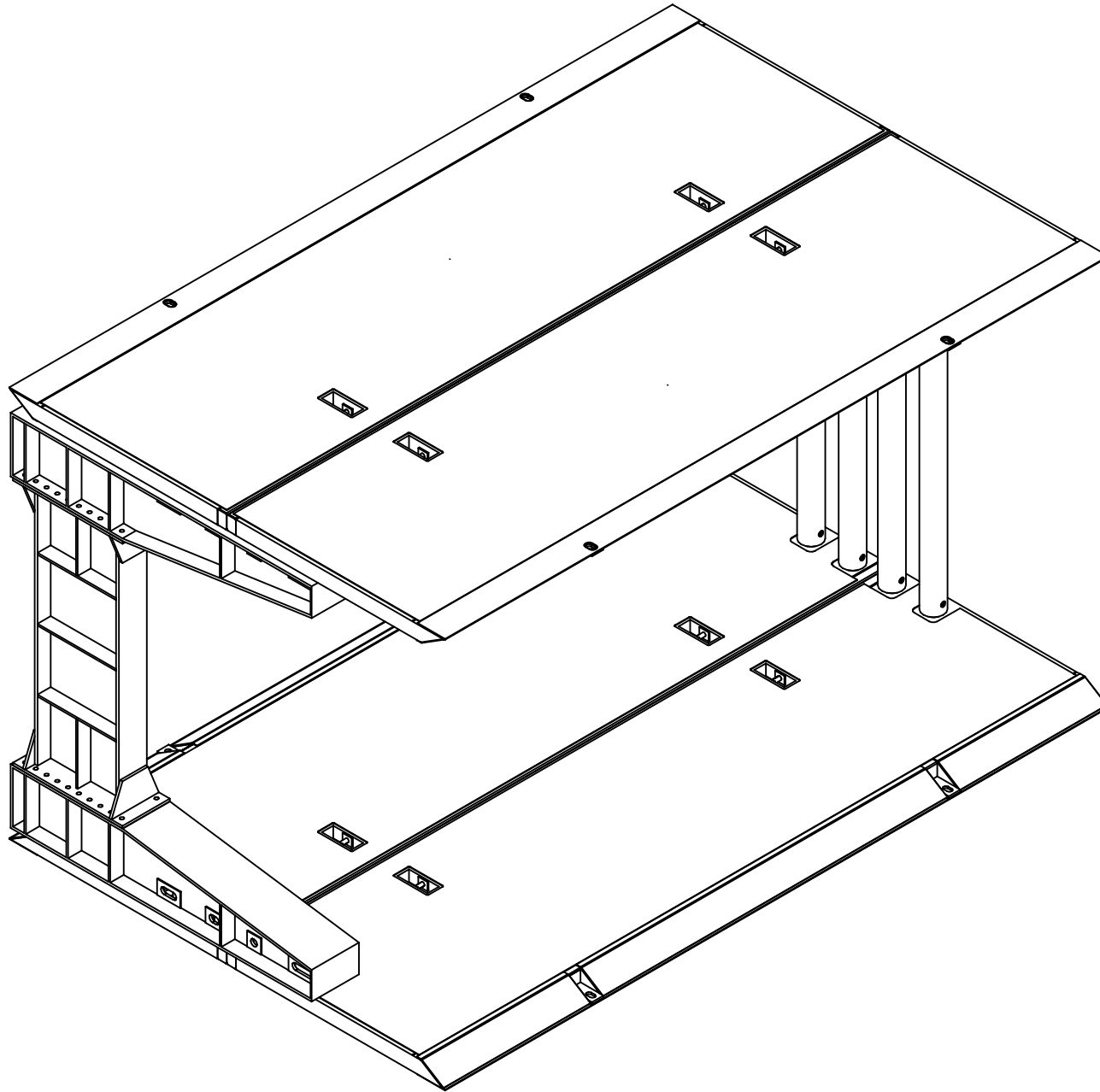


All Information Included Or Referenced Herein Shall Be Treated As Confidential To Pro-Tec Equipment © 2008



PRO-TEC Equipment
 P.O. Box 130 1298 Lipsey Dr.-Charlotte MI 48813 (517) 541-0303 1-800-292-1225

| | | |
|---------------------------------|----------------|--------------------------|
| Customer: ~ | Page 3 Of 4 | Ultra High Arch Assembly |
| Dwg. # Ultra High Arch Assembly | | |
| Date: 14-Sep-2011 | By: C. Stevens | |



All Information Included Or Referenced Herein Shall Be Treated As Confidential To Pro-Tec Equipment © 2008



PRO-TEC Equipment
 P.O. Box 130 1298 Lipsey Dr.-Charlotte MI 48813 (517) 541-0303 1-800-292-1225

| | |
|---------------------------------|----------------|
| Customer: ~ | Page 4 Of 4 |
| Dwg. # Ultra High Arch Assembly | |
| Date: 14-Sep-2011 | By: C. Stevens |

Ultra High Arch Assembly